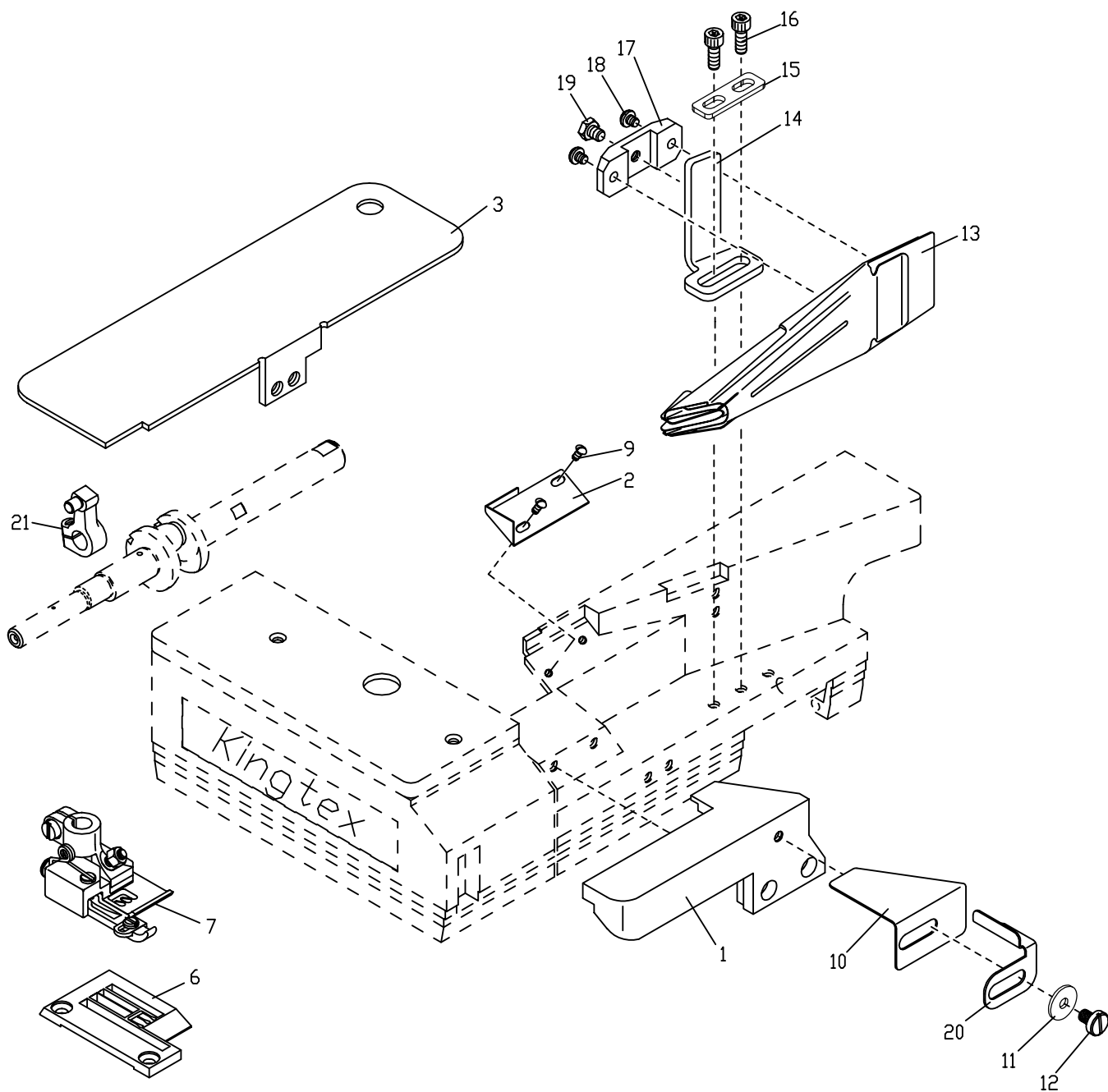
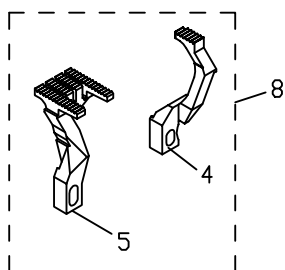


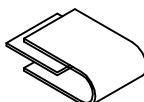


1. FTD 7003 平形圓領包邊用零件列表

Parts List For FTD 7003 Collarettes Knitted Binding



13 導模型式 Folder Type



導模型式	 2折	 3折	 4折
Folder Type	Two Fold	Three Fold	Four Fold
圖號 Part No.	221FR0201 (F030208FD2)	221FR0301 (F030208FD3)	221FR0401 (F030208FD4)

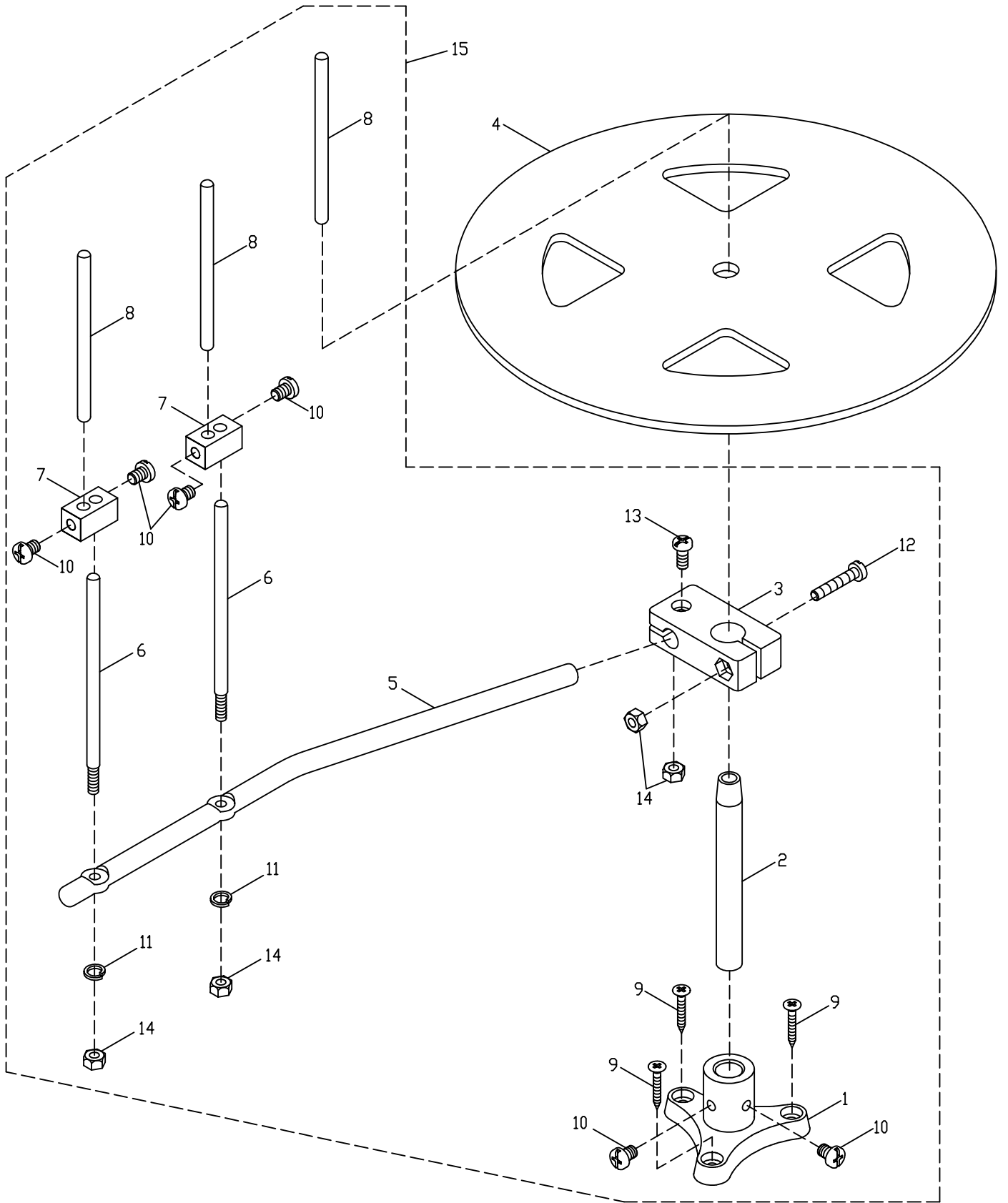
序號 Ref.No.	名稱 Description	針距 Distance Of Needles				
		3.2	4.0	4.8	5.6	6.4
6	針板 Needle Plate	5222TP03321	5222TP03401	5222TP03482	5222TP03561	5222TP03641
7	壓腳 Presser Foot	5222PF03321	5222PF03401	5222PF03482	5222PF03561	5222PF03641

1. FTD 7003 平形圓領包邊用零件列表 Parts List For FTD 7003 Collarettes Knitted Binding

序號 Ref. No.	物料編號 Parts No.	名稱 Description	單位用量 Amt. Req.
1	2280030101	下座前蓋活動塊 Movable Block -----	1
2	2280030102	防塵蓋 Dust Cover -----	1
3	2210030102	防塵蓋 Dust Cover -----	1
4	5221DF03563	副送布齒 Diff Feed Dog -----	1
5	5223FD03562	主送布齒 Main Feed Dog -----	1
6	-----	針板 Needle plate (see Left Page) -----	1
7	-----	壓腳組 Press Foot Asm. (see Left Page) -----	1
8	5223DG00011	送布齒組 Feed Dog Asm.-----	1
9	8MB04280807K	螺絲 Screw (CT0215 M4-0.7*8) -----	2
10	2200030214	導帶布板 Fabric Silde Plate -----	1
11	2310001309	墊圈 Washer -----	1
12	8MB05320710A	螺絲 Screw (C030217 M5-0.8*7) -----	1
*13	-----	成型導模 Folder (See Left page) -----	1
14	2210030209	導模支撐臂 Folder Support -----	1
15	2200030206	夾板 FixingPlate -----	1
16	8MM05321409A	螺絲 Screw (CT0632 M5-0.8*14) -----	2
17	2200030202	導模夾板 Folder Clamp -----	1
18	8SB44400407K	螺絲 Screw(C030203 9/64"-40*4) -----	2
19	8SK56320608A	螺絲 Screw (C030204 7/32"-32*6) -----	1
20	2210030224	輔助布板 Aux. Cloth Plate -----	1
21	2210390256	曲柄 Lever -----	1

*特註品 Custom-made Item

2.TS008 滾條架 Tape Stand



2.TS008 滾條架 Tape Stand

序號 Ref.No.	圖號 Parts No.	名稱 Description	單位用量 Amt.Req.
1	4TS0080101	座 Stand Base -----	1
2	4TS0080102	立柱 Rod -----	1
3	4TS0080103	接頭 Joint -----	1
4	4TS0050101	承盤 Plastic Plate -----	1
5	4TS0080105	旋臂 Arm -----	1
6	4TS0080106	線盤軸 Spool Pin -----	2
7	4TS0080107	定位調整塊 Tape Adjusting Holder -----	2
8	4TS0080108	軸 Shaft -----	3
9	8ME34002500A	木螺絲 Wood Screw -----	3
10	8MC06400810A	螺絲 Screw -----	6
11	90SW050	彈簧墊圈 Spring Washer -----	2
12	8MC05322709A	螺絲 Screw -----	1
13	8MC05321109A	螺絲 Screw -----	1
14	8MA03200408A	螺帽 Nut -----	4
15	4TS008A0115	滾條架組 Tape Stand Asm. -----	1